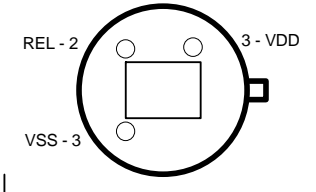
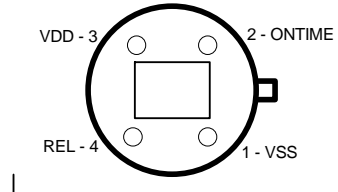
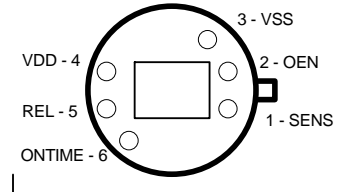



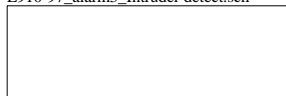


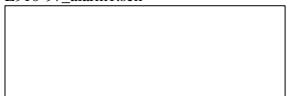



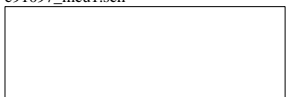
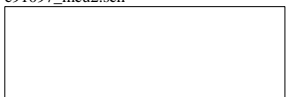
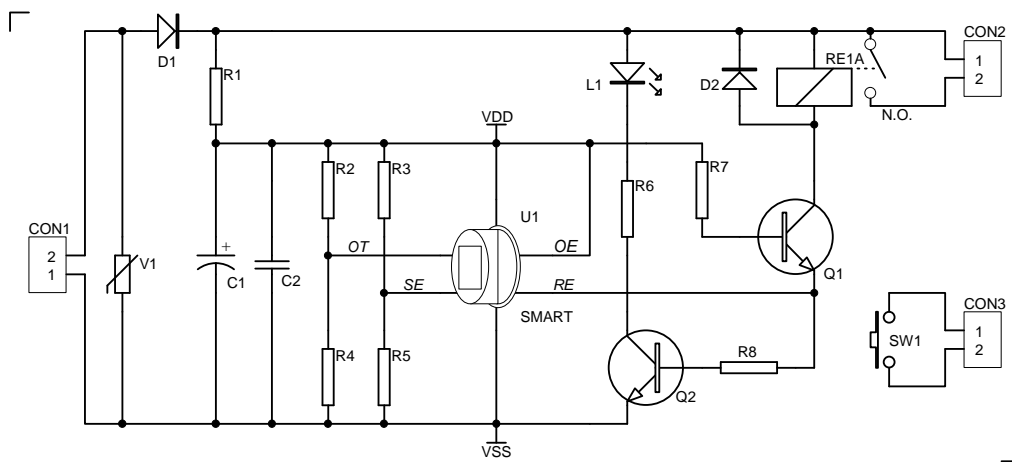
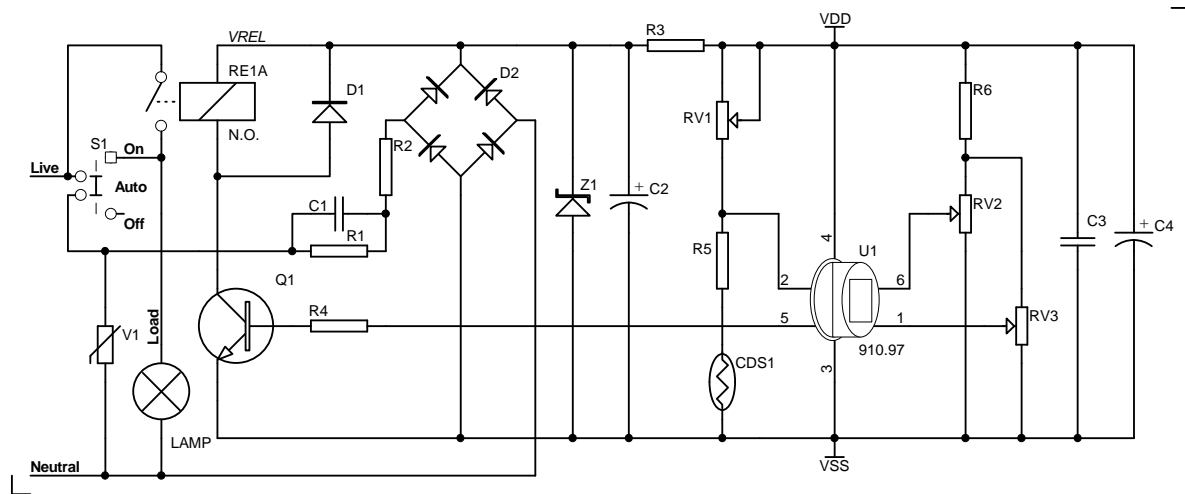
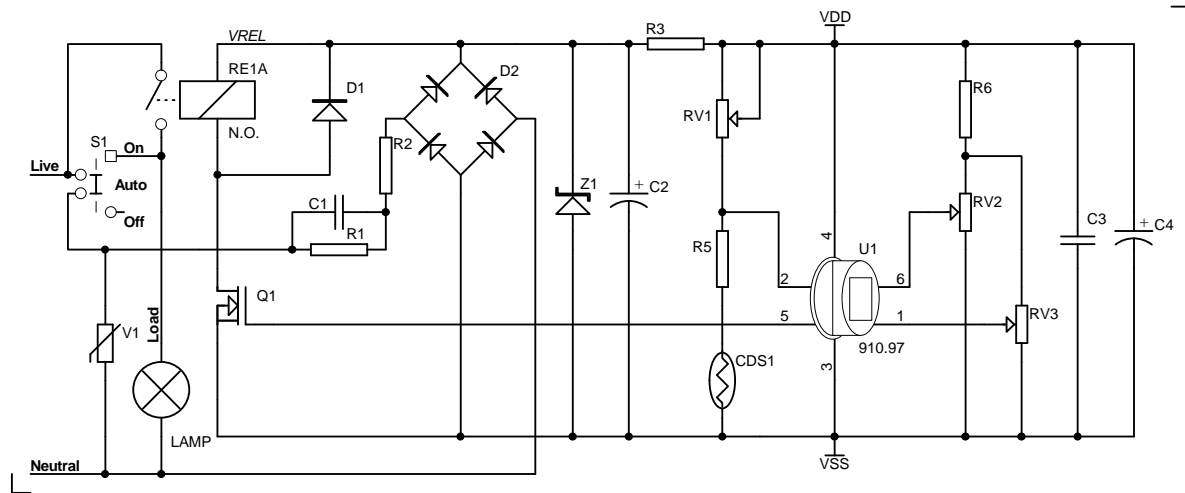


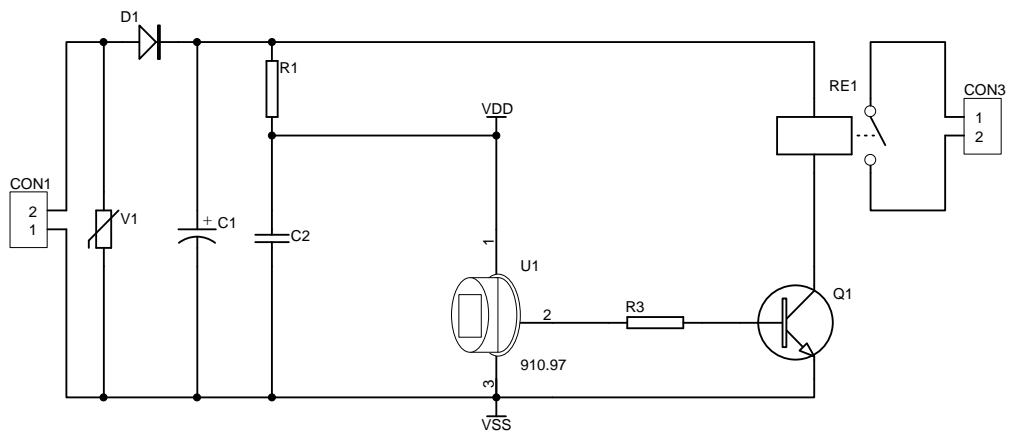
MODEL			
LED on with Motion	S1 E910.97-LED_Simple1.sch 	S2 E910.97-LED_Simple2.sch 	S3 E910.97-LED_Simple3.sch  Internal Regulator
Alarm Motionsensor			S6 E910.97_alarm3_Intruder detect.sch  Internal Regulator
AC Sensor Light		S8 E910.97_TRIAC2.sch  Internal Regulator	S9 E910.97-sensorlight1.sch  Internal Regulator
REL on with motion	S10 E910-97_alarm1.sch  Internal Regulator	S11 E910-97_alarm2.sch 	S12 E910-97_alarm3.sch  Internal Regulator
RF Interface	S13 P910-97_Rf1.sch  Internal Regulator		
How to interface to motion sensor	S16 e91097_mcu1.sch 	S17 e91097_mcu2.sch 	



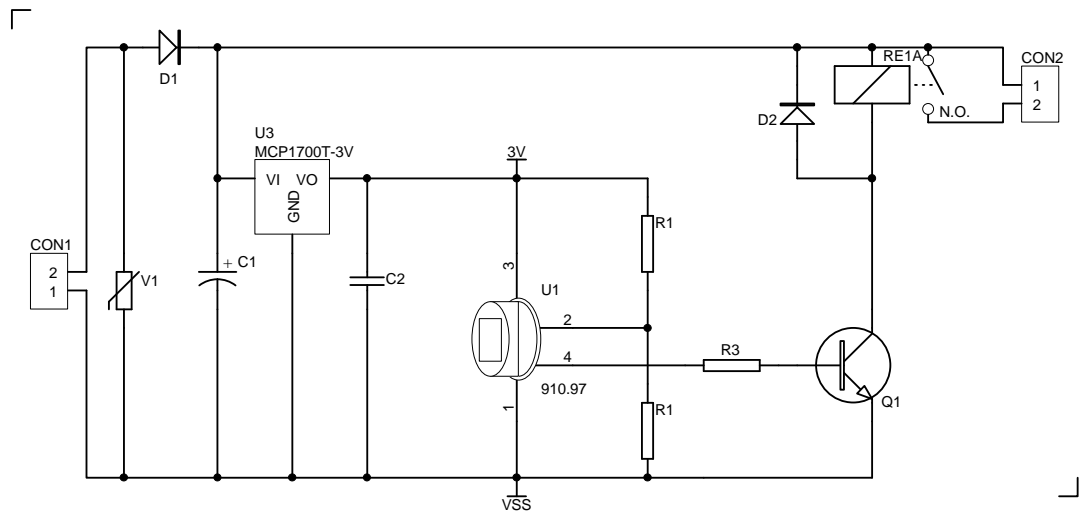
Title			MOS (Pty) Ltd. Microsystems on Silicon www.mos.co.za
E910.97 Motion Sensor Wired Intruder detector			
Size: A4	Number:	Revision:	
File: E910-97_alarm3_intruder detect.sch	Date: 10-Sep-2012	Time: 12:12:17	Sheet 1 of 1



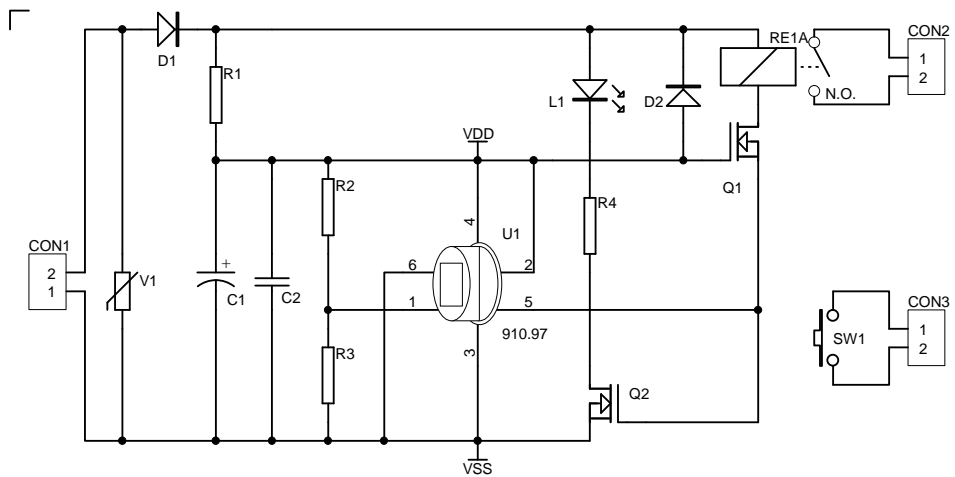
Title E910.97 Sensor light controller			MOS (Pty) Ltd. Microsystems on Silicon www.mos.co.za
Size: A4	Number:	Revision:	
File: E910-97-sensorlight1.sch		Date: 10-Sep-2012	Time: 12:12:17 Sheet 1 of 1



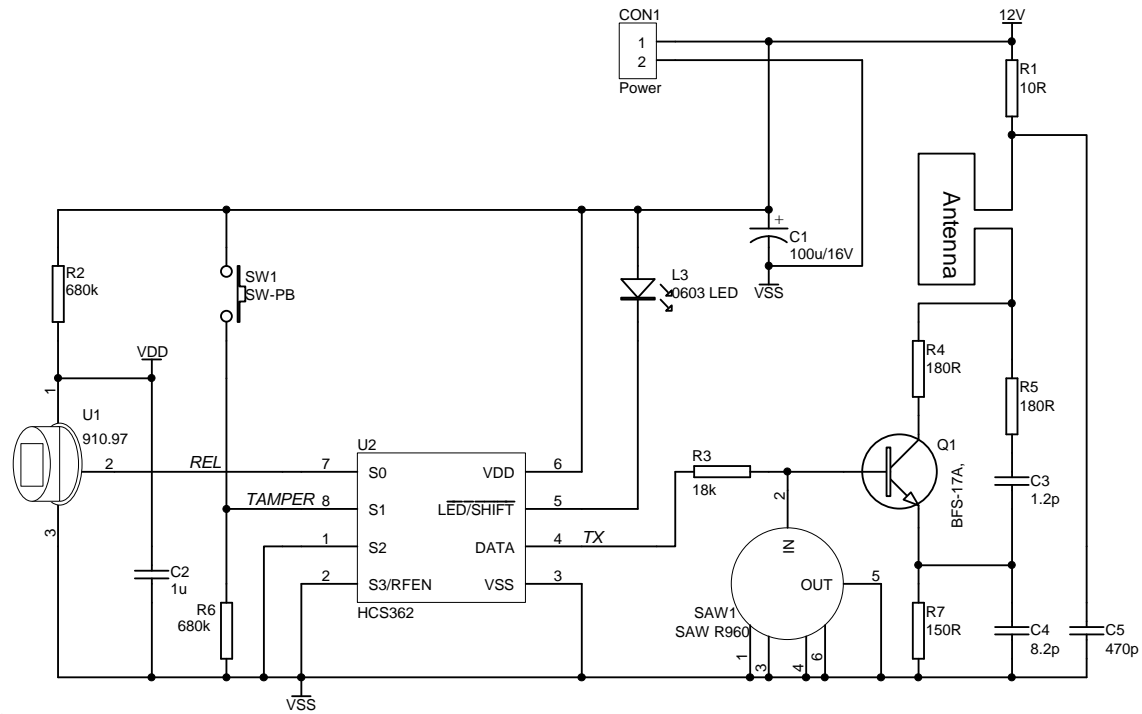
Title E910.97 Motion Sensor relay switch			MOS (Pty) Ltd. Microsystems on Silicon www.mos.co.za
Size: A4	Number:	Revision:	
File: E910-97_alarm1.sch	Date: 10-Sep-2012	Time: 12:12:17	Sheet 1 of 1



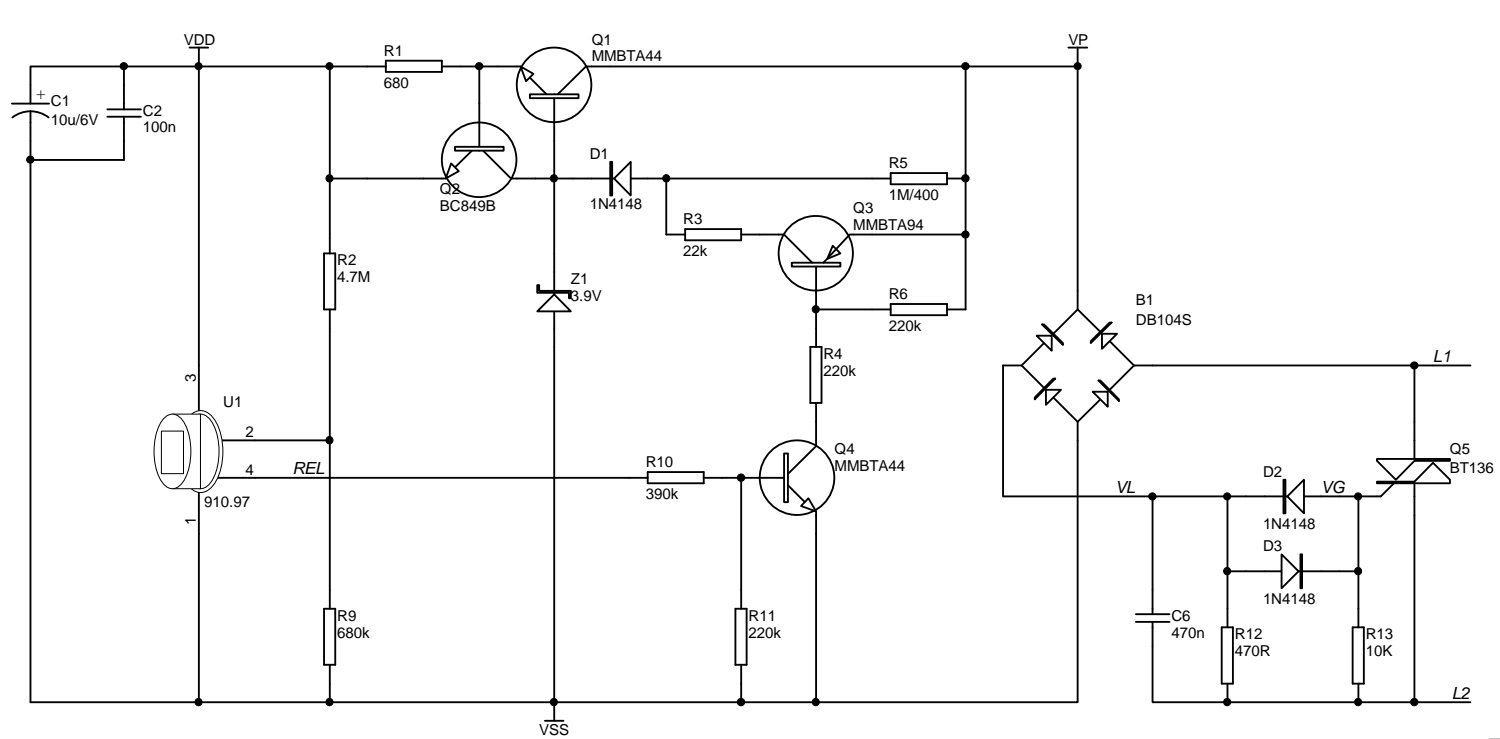
Title E910.97 Motion Sensor relay switch			MOS (Pty) Ltd. Microsystems on Silicon www.mos.co.za
Size: A4	Number:	Revision:	
File: E910-97_alarm2.sch	Date: 10-Sep-2012	Time: 12:12:17	Sheet 1 of 1



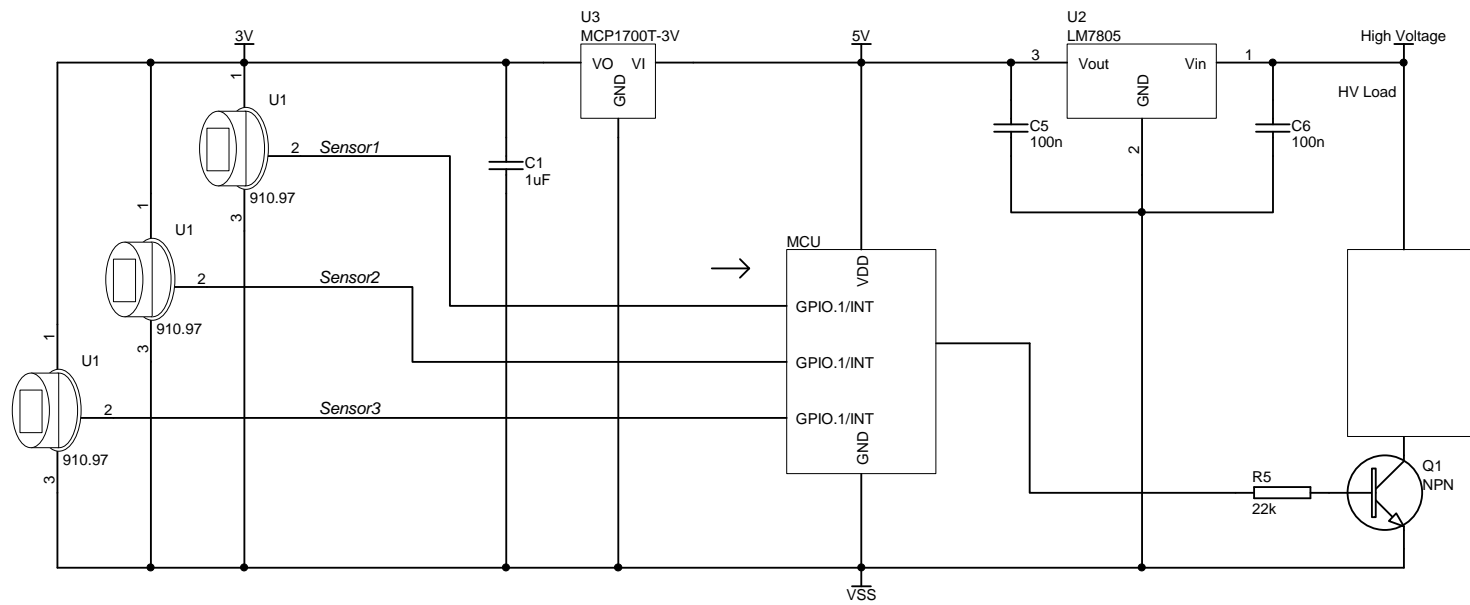
Title E910.97 Motion Sensor relay switch			MOS (Pty) Ltd. Microsystems on Silicon www.mos.co.za
Size: A4	Number:	Revision:	
File: E910-97_alarm3.sch	Date: 10-Sep-2012	Time: 12:12:17	Sheet 1 of 1



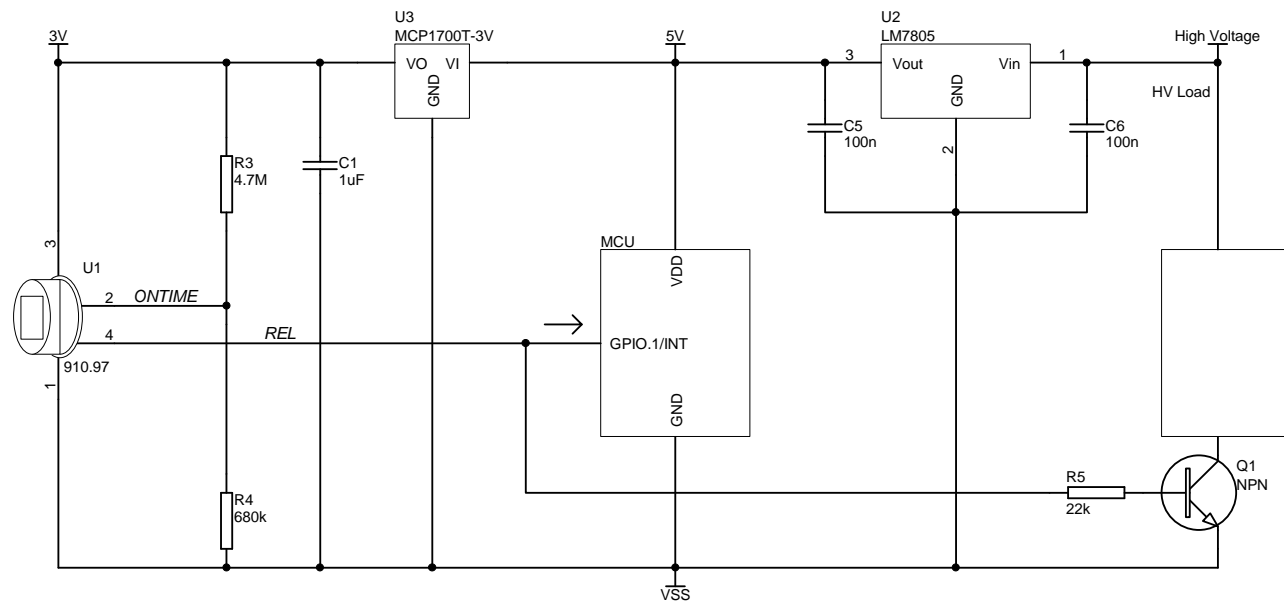
Title E910.97 Motion Sensor RF Intruder detector			MOS (Pty) Ltd. Microsystems on Silicon www.mos.co.za
Size: A4	Number:	Revision:	
File: P910-97_Rf1.sch	Date: 10-Sep-2012	Time: 12:12:17	Sheet 1 of 1



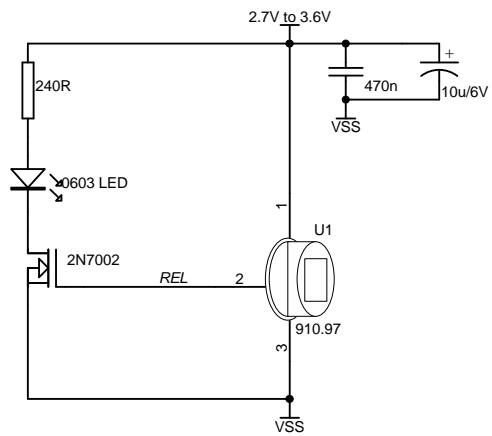
Title E910.97 Motion Sensor TRIAC SW			MOS (Pty) Ltd. Microsystems on Silicon www.mos.co.za
Size: A4	Number:	Revision:	
File: E910.97_TRIAC2.sch	Date: 10-Sep-2012	Time: 12:12:17	Sheet 1 of 1



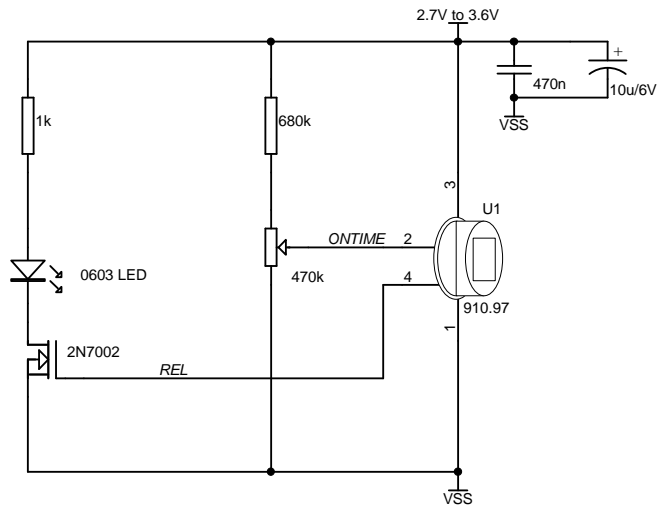
Title E910.97 Multiple detectors to MCU			MOS (Pty) Ltd. Microsystems on Silicon www.mos.co.za
Size: A4	Number:	Revision:	
File: e91097_mcu1.sch	Date: 10-Sep-2012	Time: 12:12:17	Sheet 1 of 1



Title E910.97 MCU connection			MOS (Pty) Ltd. Microsystems on Silicon www.mos.co.za
Size: A4	Number:	Revision:	
File: e91097_mcu2.sch	Date: 10-Sep-2012	Time: 12:12:17	Sheet 1 of 1



Title			MOS (Pty) Ltd. Microsystems on Silicon www.mos.co.za
E910.97 Simple LED motion indicator			
Size: A4	Number:	Revision:	
File: E910.97-LED_Simple1.sch	Date: 10-Sep-2012	Time: 12:12:17	Sheet 1 of 1



Title E910.97 Extendable time LED motion indicator			MOS (Pty) Ltd. Microsystems on Silicon www.mos.co.za
Size: A4	Number:	Revision:	
File: E910.97-LED_Simple2.sch	Date: 10-Sep-2012	Time: 12:12:17	Sheet 1 of 1

