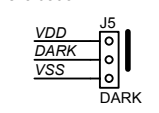
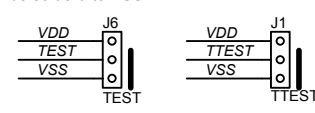


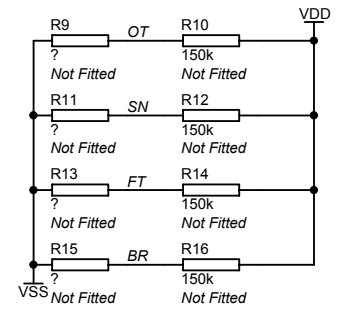
LDR can be over driven with jumper for evaluation



Testmode jumper will be soldered to VSS



Footprints provided to set values if pots are not fitted



Title Eval Module for M2011A1			MOS (Pty) Ltd. Microsystems on Silicon www.mos.co.za
Size: A4	Number:	Revision:	
File: m2011ab1_smd1.sch	Date: 17-Sep-2004	Time: 16:28:18 Sheet 1 of 1	