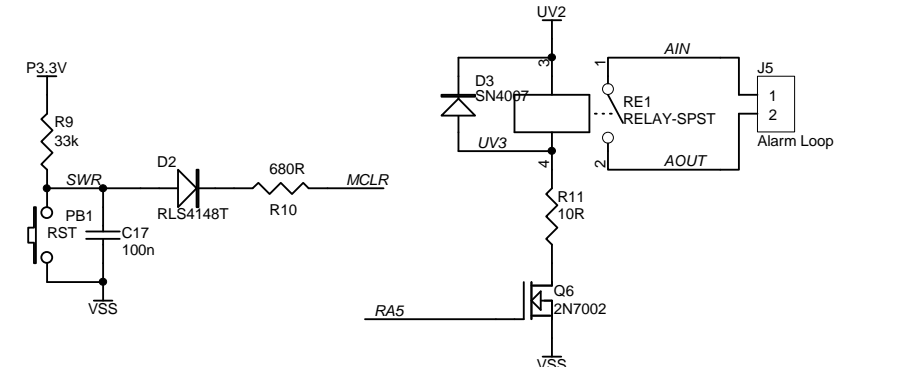
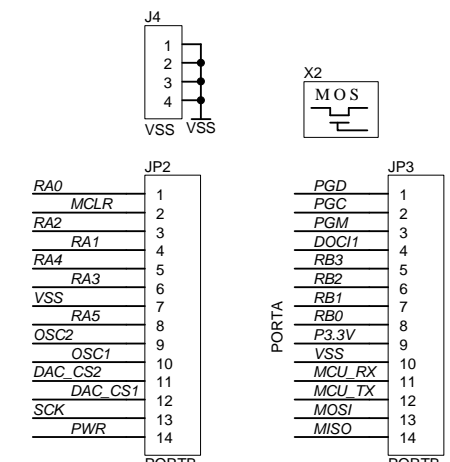
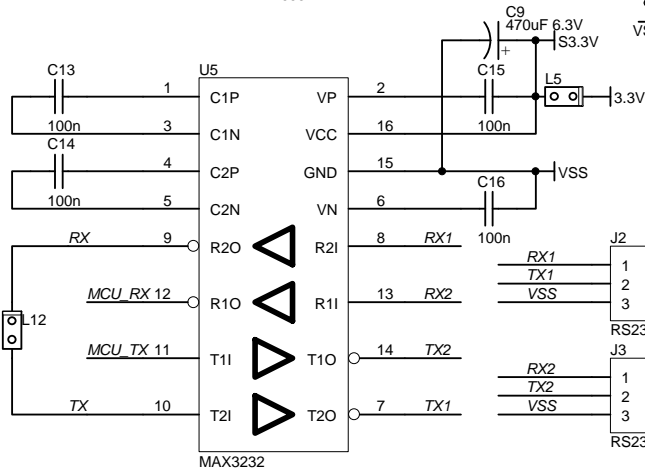
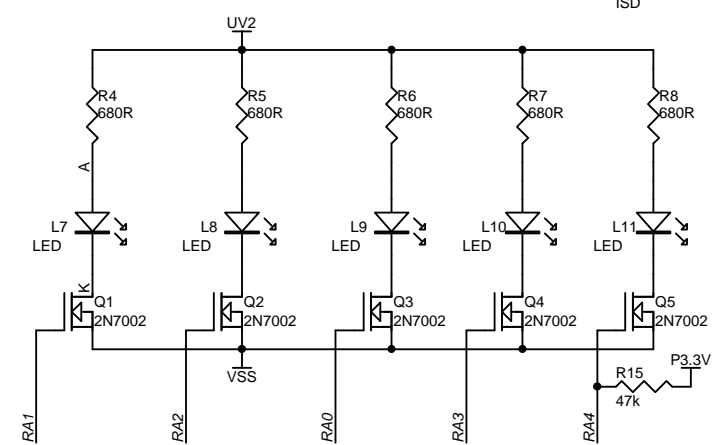
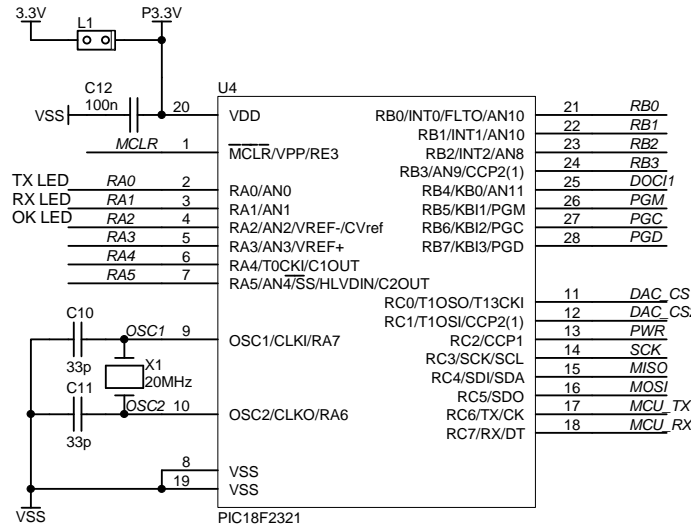
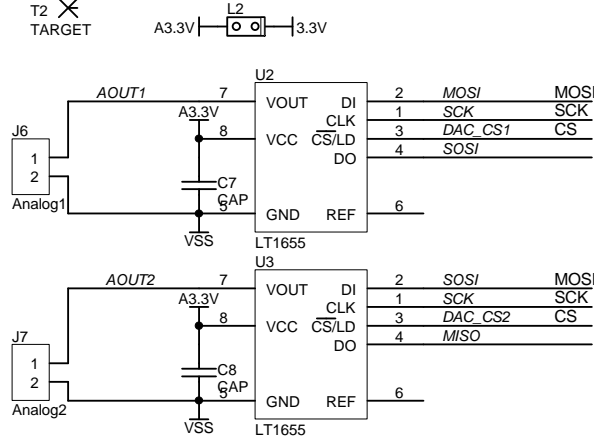


T1 TARGET

T2 TARGET



Title		DIGI-PIR Application Evaluation Board		MOS (Pty) Ltd. Microsystems on Silicon	
Size: A4	Number: M992	Revision:		www.mos.co.za	
File: DigitalSensor3_smd2.sch		Date: 24-Apr-2009	Time: 10:48:00 Sheet 0 of 0		