

E931-96-Pack\_DoorChime  
E931-96-Pack\_DoorChime.sch



E931-96-Emerg\_Light  
E931-96-Emerg\_Light.sch



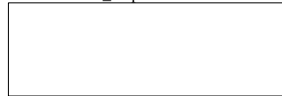
E931-96-Pack\_Micro1  
E931-96-Pack\_Micro1.sch



E931-96-Micro1\_x2  
E931-96-Micro1\_x2.sch



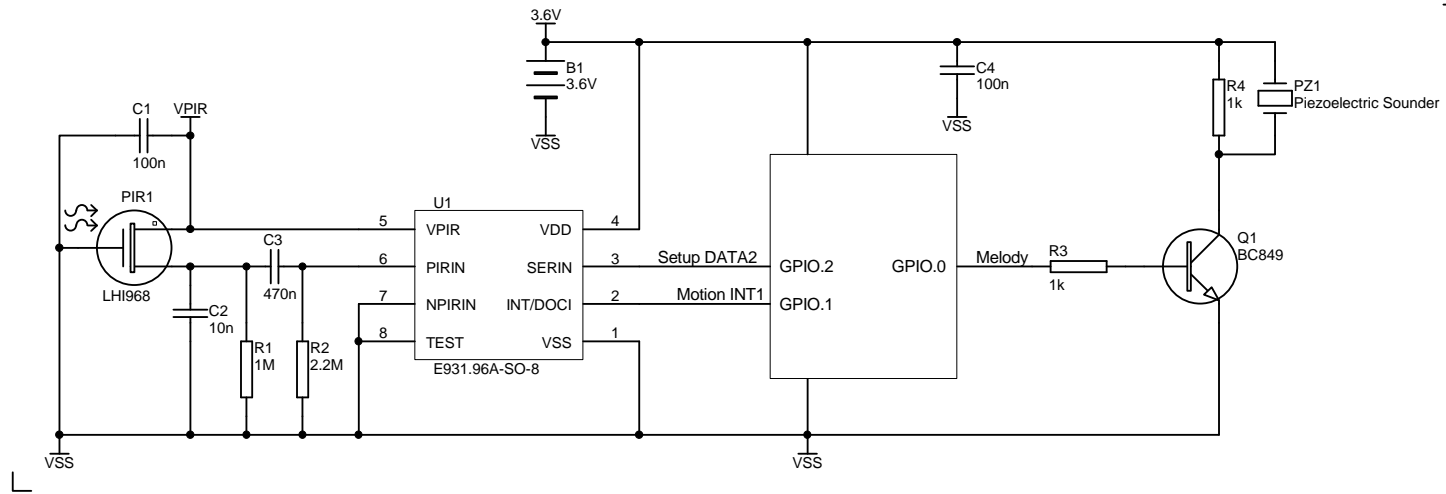
E931-96-Pack\_Hope1  
E931-96-Pack\_Hope1.sch



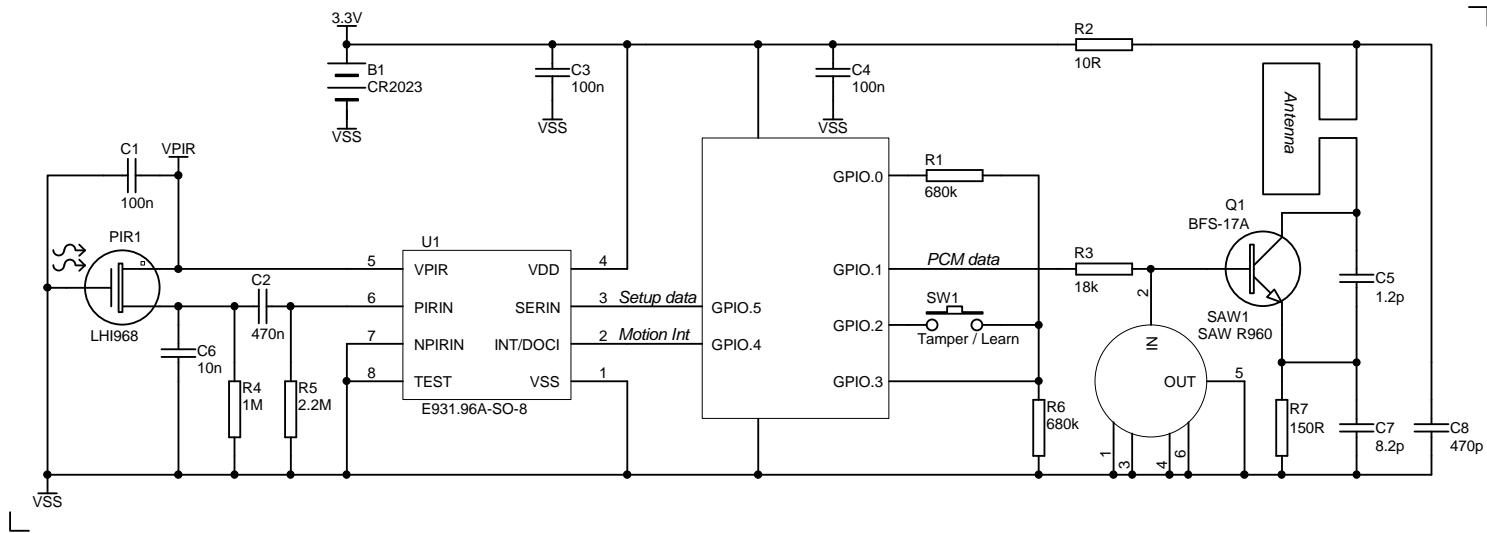
E931-96-Pack\_Hope2  
E931-96-Pack\_Hope2.sch



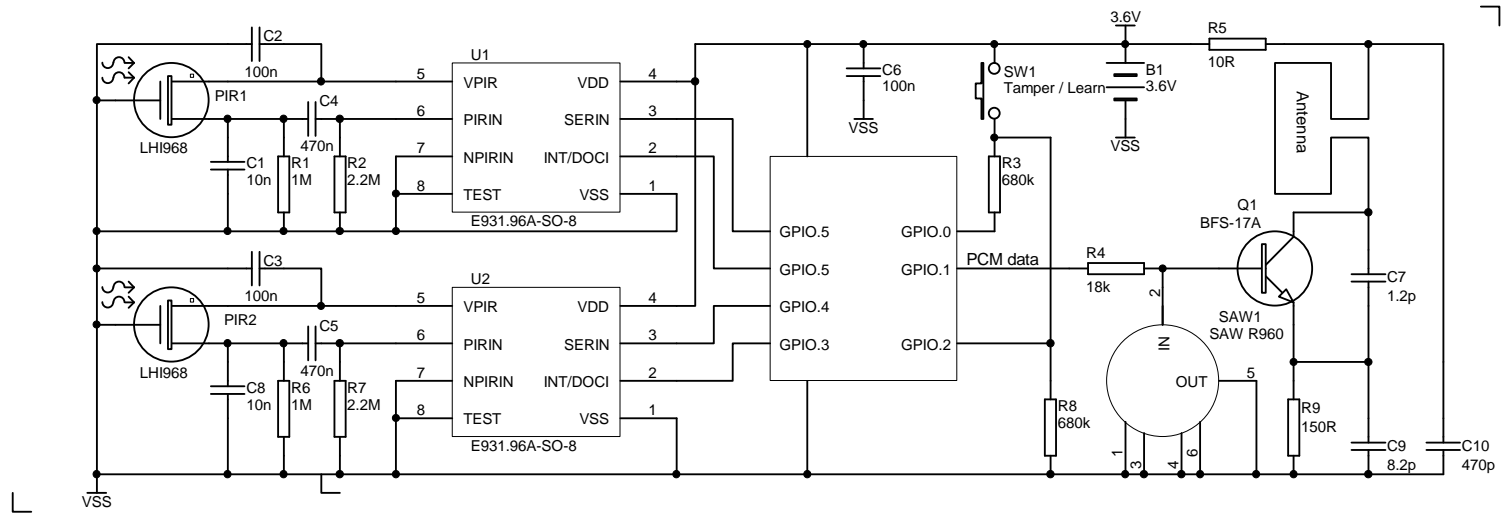
|   |                  |                |   |
|---|------------------|----------------|---|
| Title   |                  |                | MOS (Pty) Ltd.<br>Microsystems on Silicon |
| <b>E931.96 PIR Motion Sensor controller IC Applications</b> |                  |                |   |
| Size: A4  | Number:          | Revision:      | www.mos.co.za                             |
| File: e93196_apps_sch.sch                                   | Date: 3-Sep-2012 | Time: 16:52:32 |   |



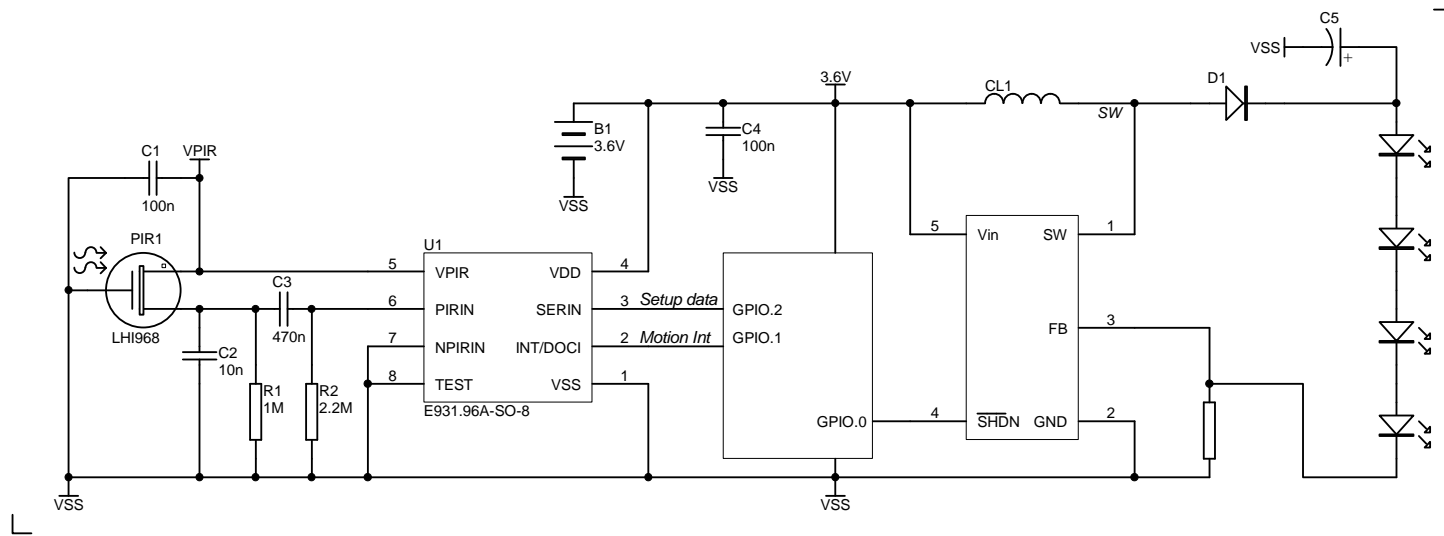
|  |                  |                |  |
|--|------------------|----------------|--|
| Title<br><b>E931.97 PIR Motion Sensor with RF Transmit</b> |                  |                | MOS (Pty) Ltd.<br>Microsystems on Silicon<br>www.mos.co.za |
| Size: A4   | Number:          | Revision:      |  |
| File: E931-96-Pack_DoorChime.sch                           | Date: 3-Sep-2012 | Time: 16:52:32 | Sheet 1 of 1   |



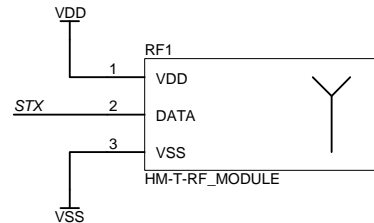
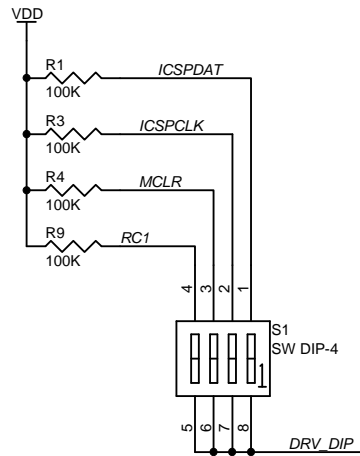
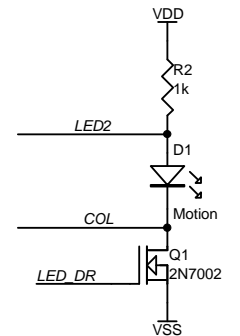
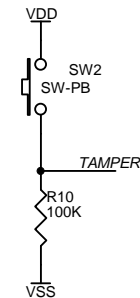
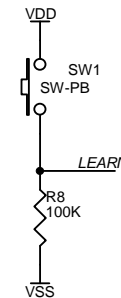
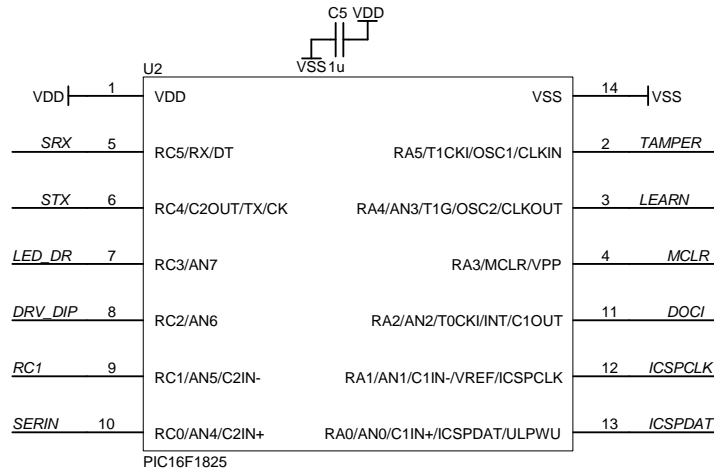
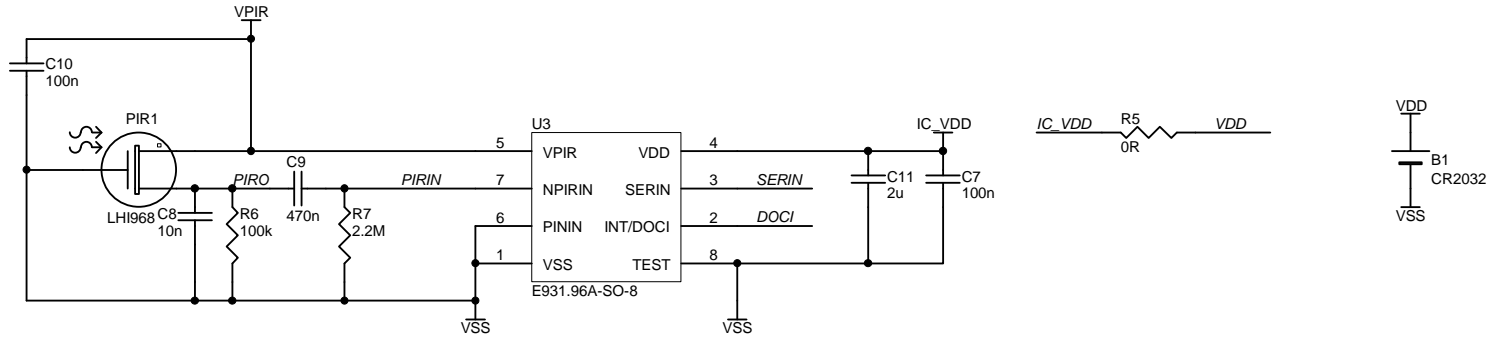
|  |                  |                |  |
|--|------------------|----------------|--|
| Title<br><b>E931.97 PIR Motion Sensor with RF Transmit</b> |                  |                | MOS (Pty) Ltd.<br>Microsystems on Silicon<br>www.mos.co.za |
| Size: A4   | Number:          | Revision:      |  |
| File: E931-96-Pack_Micro1.sch                              | Date: 3-Sep-2012 | Time: 16:52:32 | Sheet 1 of 1   |



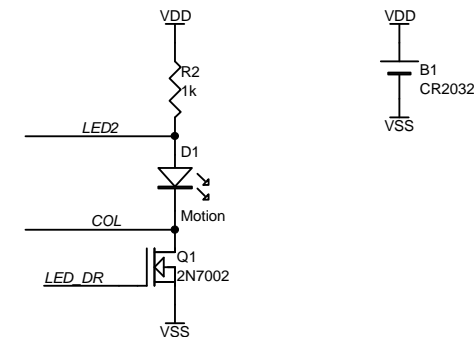
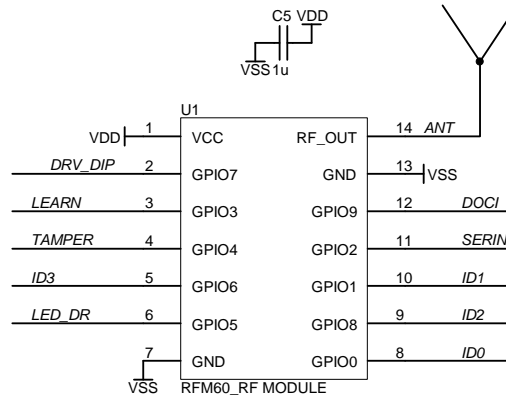
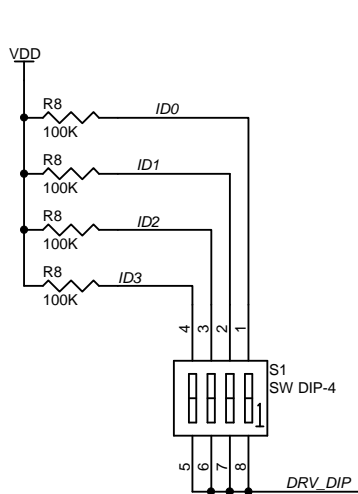
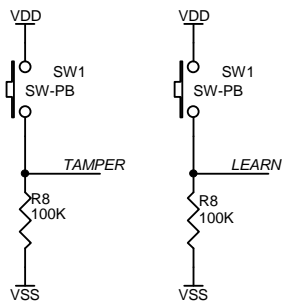
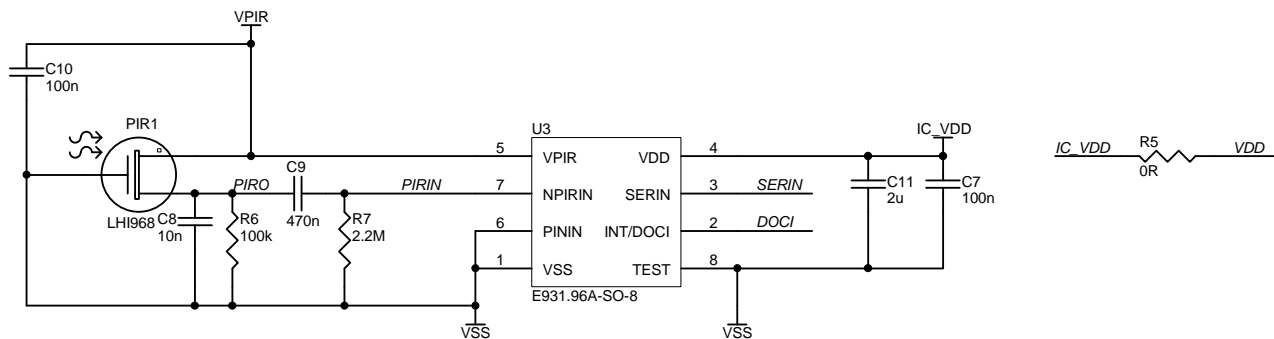
|  |                  |                |  |
|--|------------------|----------------|--|
| Title<br><b>E931.97 PIR Motion Sensor with RF Transmit</b> |                  |                | MOS (Pty) Ltd.<br>Microsystems on Silicon<br>www.mos.co.za |
| Size: A4   | Number:          | Revision:      |  |
| File: E931-96-Micro1_x2.sch                                | Date: 3-Sep-2012 | Time: 16:52:32 | Sheet 1 of 1   |



|  |                  |                |  |
|--|------------------|----------------|--|
| Title<br><b>E931.97 PIR Motion Sensor with RF Transmit</b> |                  |                | MOS (Pty) Ltd.<br>Microsystems on Silicon<br>www.mos.co.za |
| Size: A4   | Number:          | Revision:      |  |
| File: E931-96-Emerg_Light.sch                              | Date: 3-Sep-2012 | Time: 16:52:32 | Sheet 1 of 1   |



|  |                  |                |  |
|--|------------------|----------------|--|
| Title<br><b>E931.96 PIR HM-T RF Module</b> |                  |                | MOS (Pty) Ltd.<br>Microsystems on Silicon<br>www.mos.co.za |
| Size: A4                                   | Number: M949     | Revision:      |  |
| File: E931-96-Pack_Hope1.sch               | Date: 3-Sep-2012 | Time: 16:52:32 | Sheet 1 of 1   |



|                                   |                     |                |  |
|-----------------------------------|---------------------|----------------|--|
| Title<br><b>E931.96 PIR RFM60</b> |                     |                | MOS (Pty) Ltd.<br>Microsystems on Silicon<br>www.mos.co.za |
| Size: A4                          | Number: <b>M949</b> | Revision:      |  |
| File: E931-96-Pack_Hope2.sch      | Date: 3-Sep-2012    | Time: 16:52:32 | Sheet 1 of 1   |