





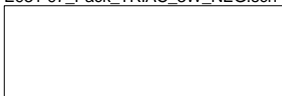




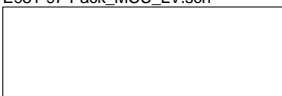
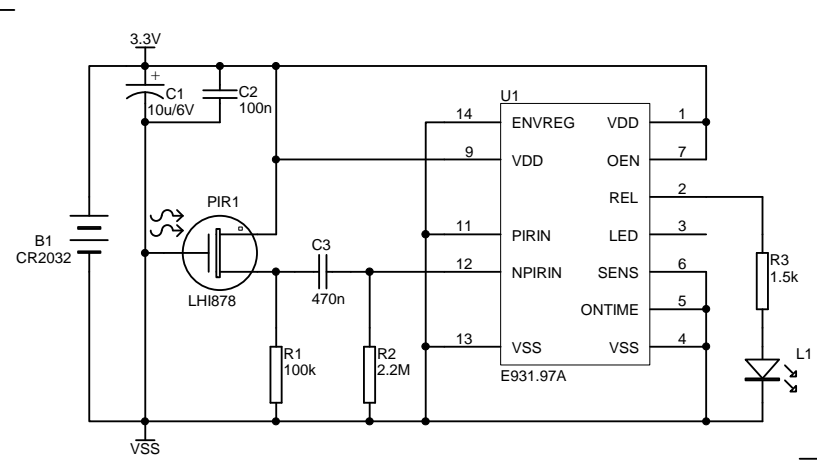
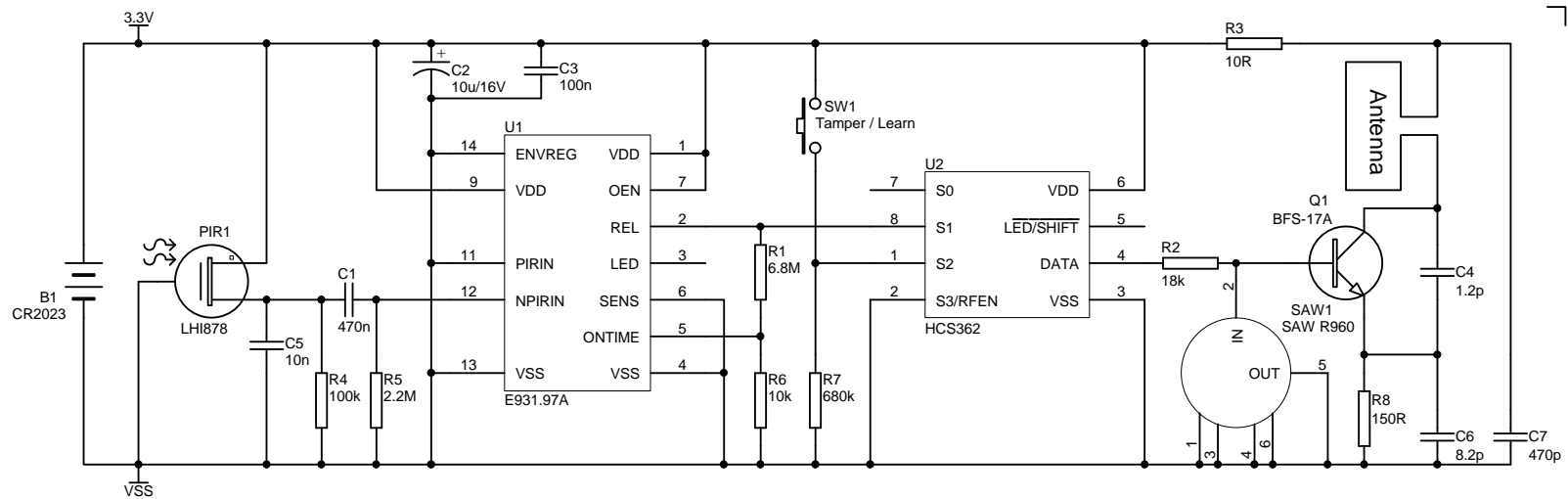


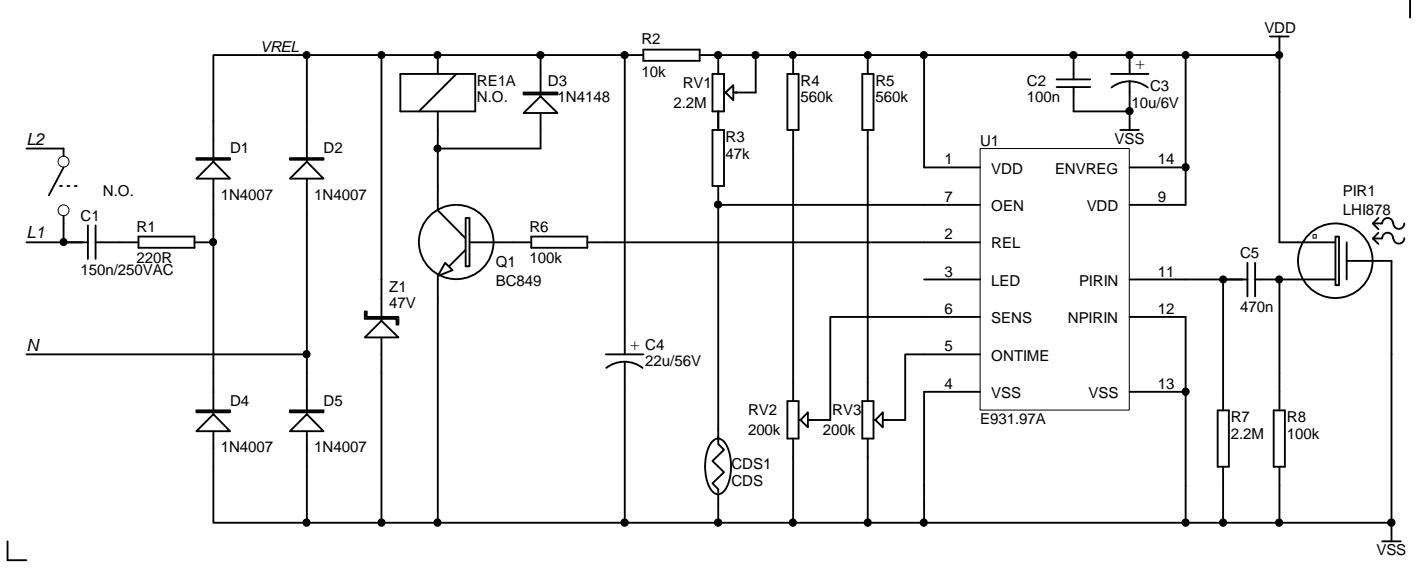
	Battery Powered	Wired	Mains 3 Wire	Mains 2 Wire
<b>LED</b>	E931-97_Pack_LED E931-97_Pack_LED.sch 			
<b>RF</b>	E931-97-Pack_RF_sensor1 E931-97-Pack_RF_sensor1.sch 			
<b>RELAY</b>		E931-97_Pack_Alarm_1 E931-97_Pack_Alarm_1.sch  E931-97_Pack_Alarm_Murata E931-97_Pack_Alarm_Murata.sch 	E931-97-Pack_sensorlight1 E931-97-Pack_sensorlight1.sch 	
<b>TRIAC</b>			E931-97_Pack_TRIAC_3W_POS E931-97_Pack_TRIAC_3W_POS.sch  E931-97_Pack_TRIAC_3W_NEG E931-97_Pack_TRIAC_3W_NEG.sch 	E931-97_Pack_TRIAC_LP E931-97_Pack_TRIAC_LP.sch 
<b>MOSFET</b>				P931-97_Pack_MOSFET_2W P931-97_Pack_MOSFET_2W.sch 
<b>Micro Controller</b>	E931-97-Pack_MCU_LV_LP E931-97-Pack_MCU_LV_LP.sch 	E931-97-Pack_MCU_HV E931-97-Pack_MCU_HV.sch  E931-97-Pack_MCU_LV E931-97-Pack_MCU_LV.sch 		



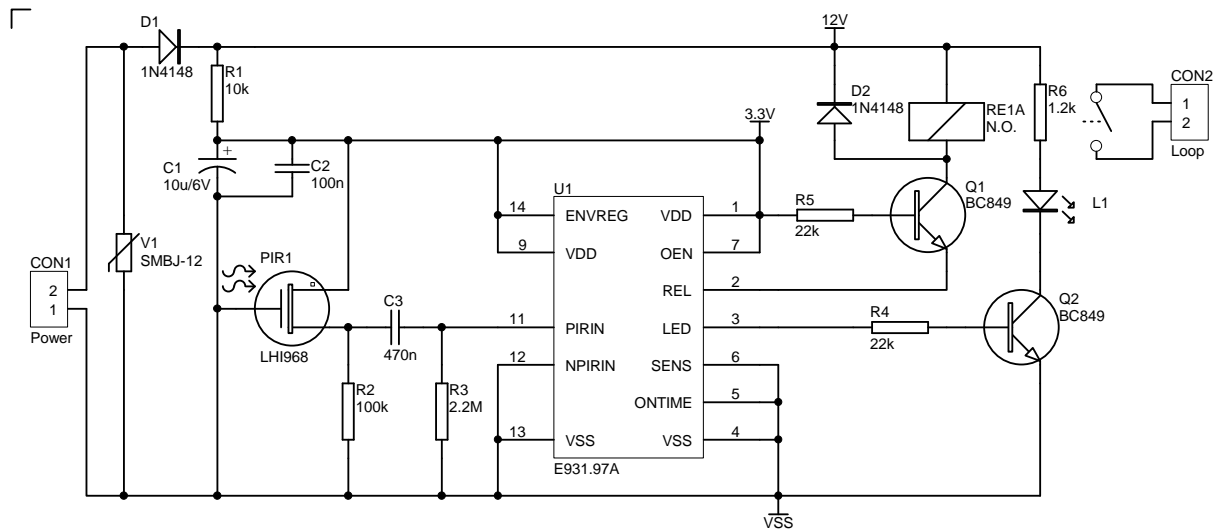
Title		Revision:		MOS (Pty) Ltd.	
E931.97 PIR Motion Indicator Battery Powered				Microsystems on Silicon	
Size: A4	Number:	Date: 4-Sep-2012	Time: 09:41:55	www.mos.co.za	
File: \\tsclient\Fla_project\931-97\doc\E93197_Doc\E93197_Doc.Ddb - E931-97_Pack_LED.sch				Sheet 1 of 1	



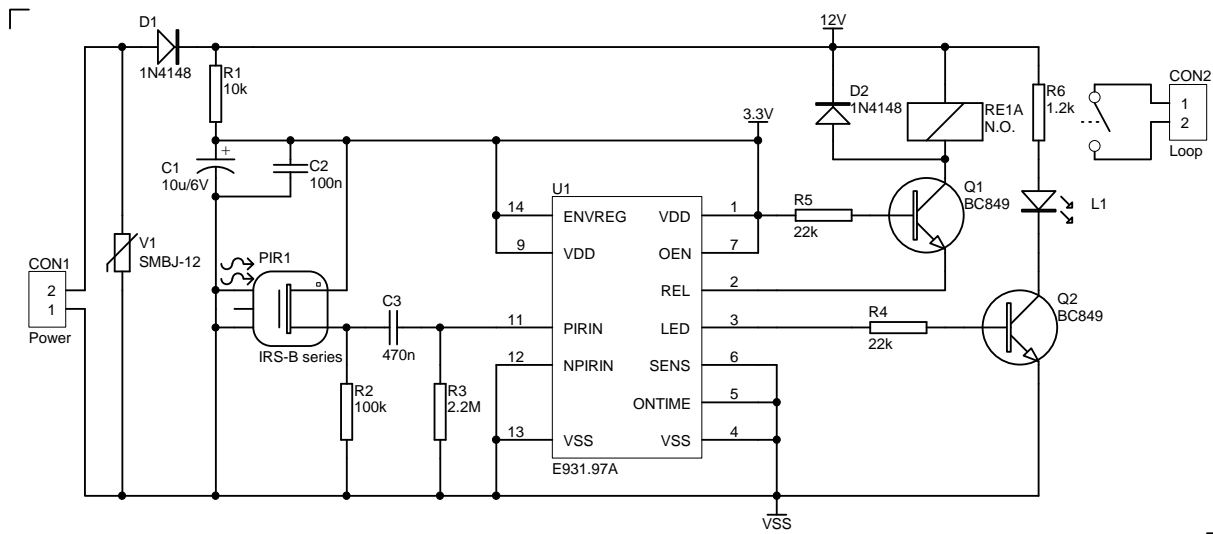
Title		Revision:		MOS (Pty) Ltd.	
E931.97 PIR Motion Sensor with RF Transmit Keeloq device				Microsystems on Silicon	
Size: A4	Number:	Date: 4-Sep-2012	Time: 09:41:55	www.mos.co.za	
File: \\tsclient\Fla_project\931-97\doc\E93197_Doc\E93197_Doc.Ddb - E931-97-Pack_RF_sensor1.sch				Sheet 1 of 1	



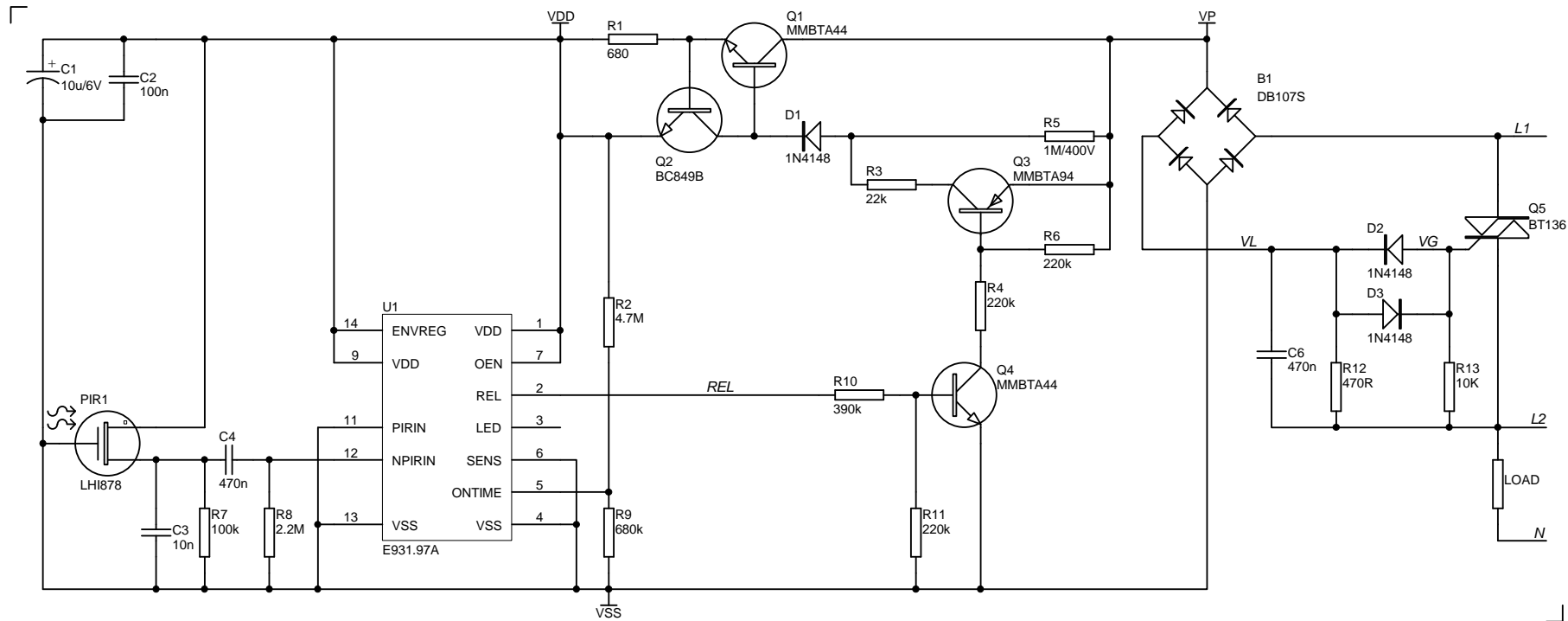
Title		E910.97 PIR Outdoor Motion Sensorlight Relay, 3 Wire		MOS (Pty) Ltd.	
Size: A4		Number:		Microsystems on Silicon	
Revision:		Date: 4-Sep-2012		www.mos.co.za	
File: \\tsclient\Fla_project\931-97\doc\E93197_Doc\E93197_Doc.Ddb - E931-97-Pack_sensorlight1.sch		Time: 09:41:55		Sheet 1 of 1	



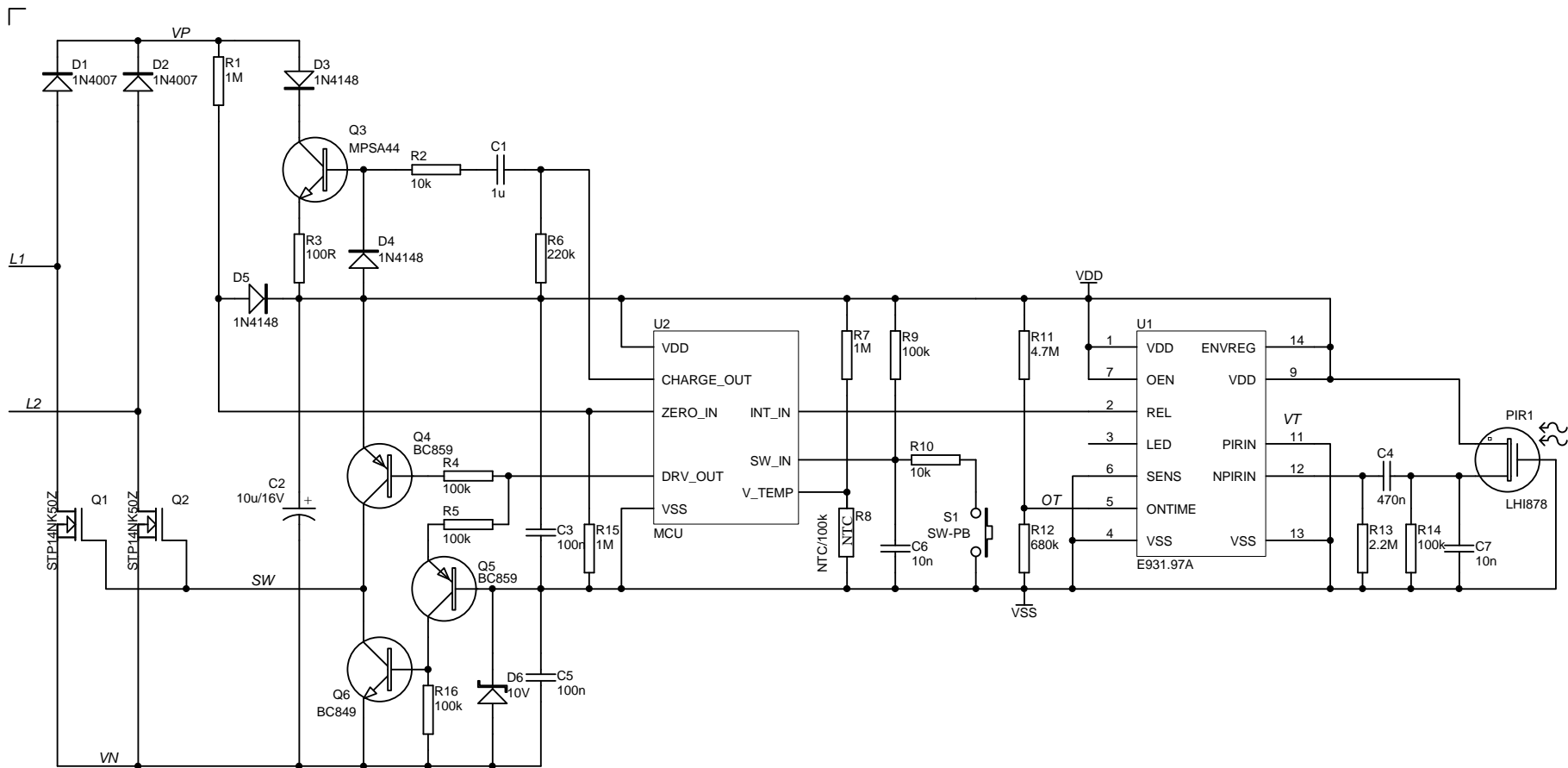
Title <b>E931.97 PIR Wired Intruder Detector</b>		Revision:		MOS (Pty) Ltd. Microsystems on Silicon www.mos.co.za	
Size: A4	Number:	Date: 4-Sep-2012	Time: 09:41:55	Sheet 1 of 1	
File: <u>tsclient\Fla_project\931-97\doc\E93197_Doc\E93197_Doc.Ddb - E931-97_Pack_Alarm_1.sch</u>					



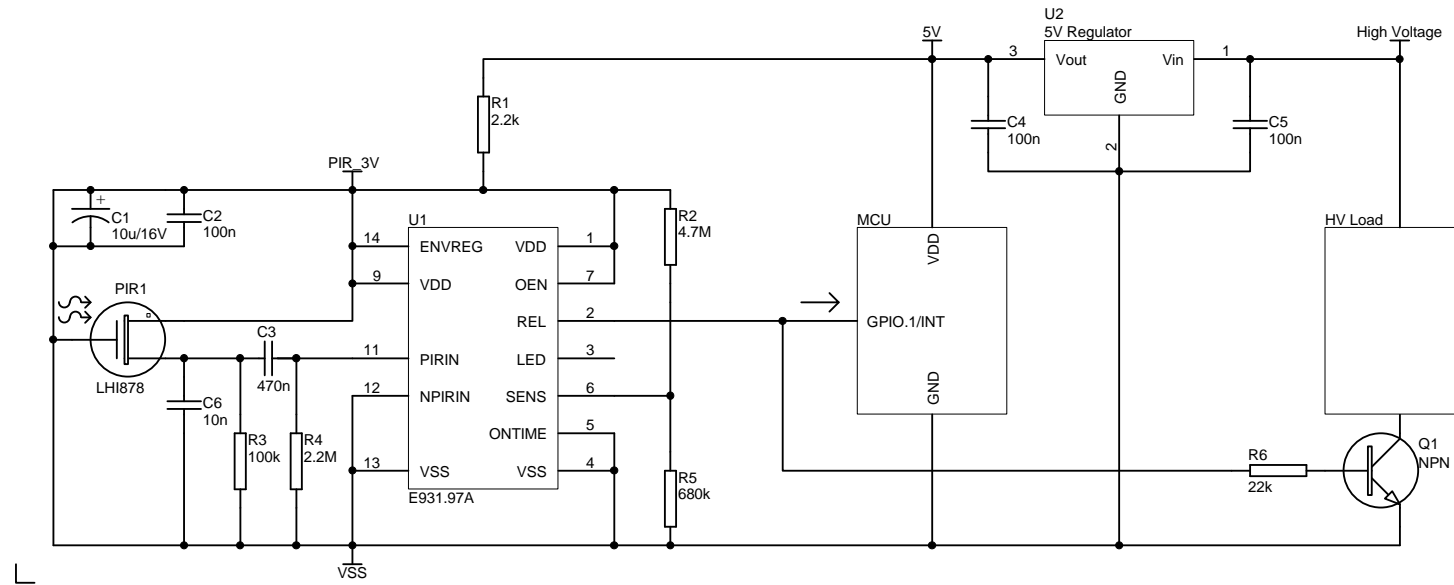
Title		Revision:		MOS (Pty) Ltd.	
E931.97 PIR Wired Intruder Detector SMD Murata Detector				Microsystems on Silicon	
Size: A4	Number:	Date: 4-Sep-2012	Time: 09:41:55	www.mos.co.za	
File: \\tsclient\Fla_project\931-97\doc\E93197_Doc.Ddb - E931-97_Pack_Alarm_Murata.sch				Sheet 1 of 1	



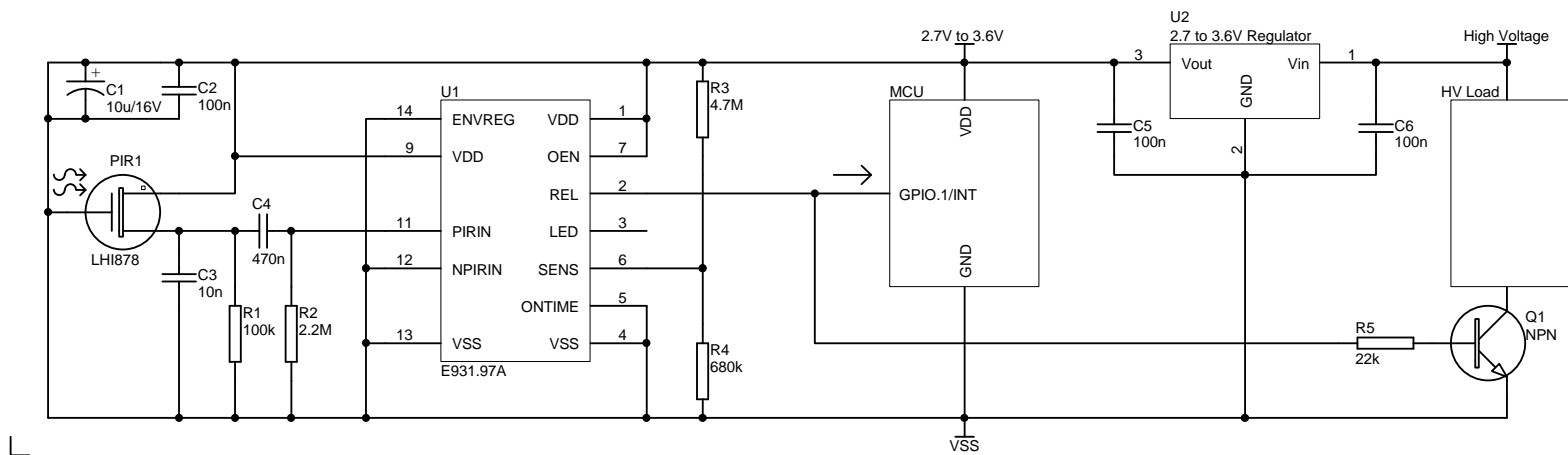
Title		Revision:		MOS (Pty) Ltd.	
<b>E931.97 Motion Sensor TRIAC SW 2 Wire Low Power</b>				Microsystems on Silicon	
Size: A4	Number:	Date: 4-Sep-2012	Time: 09:41:55	www.mos.co.za	
File: <u>tsclient\Fla_project\e931-97\doc\E93197_Doc\E93197_Doc.Ddb - E931-97_Pack_TRIAC_LP.sch</u>				Sheet 1 of 1	



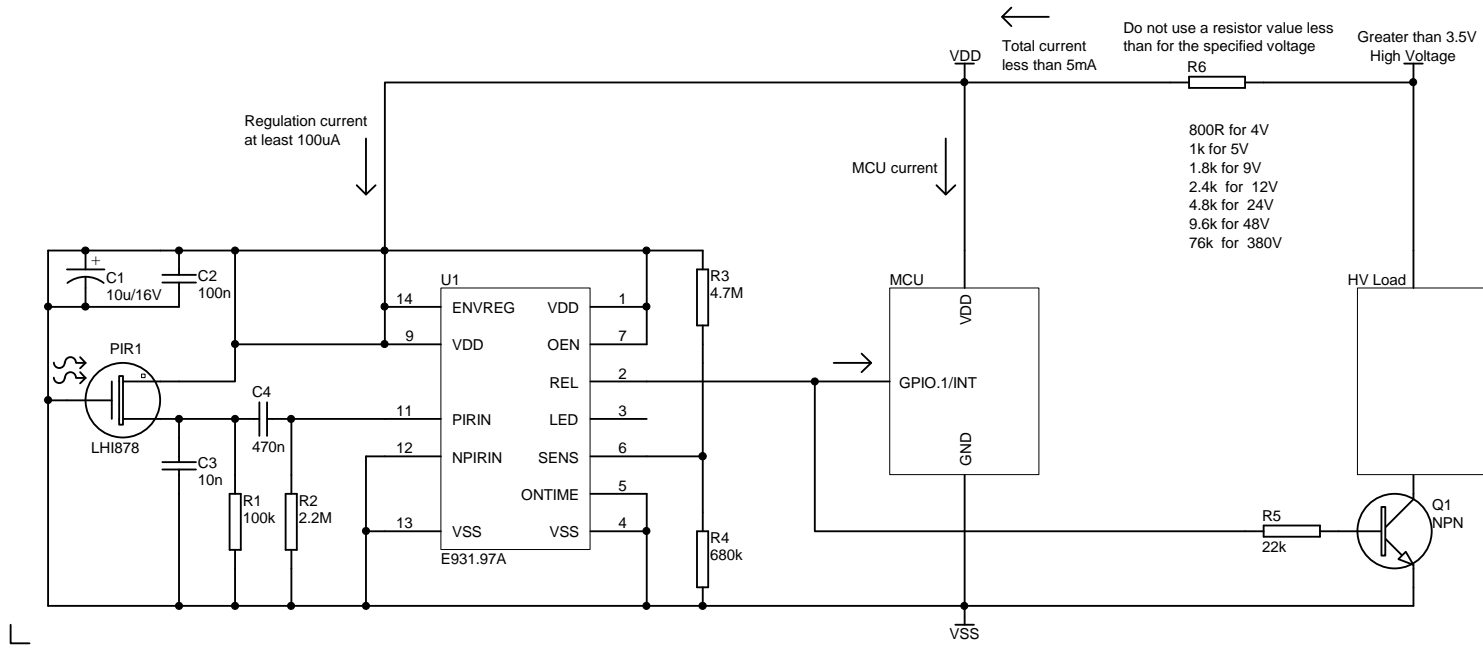


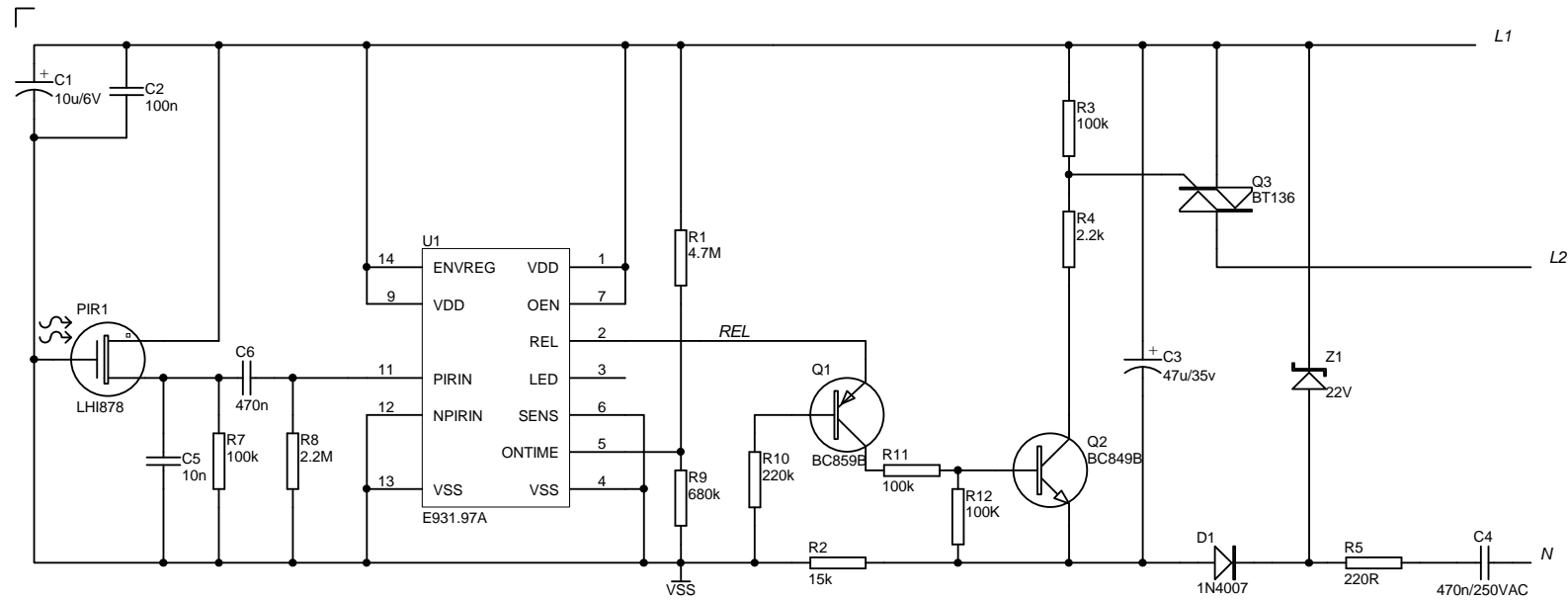


Title		Revision:		MOS (Pty) Ltd.	
E931.97 PIR Motion Sensor with High Voltage MCU				Microsystems on Silicon	
Size: A4	Number:	Date: 4-Sep-2012	Time: 09:41:55	www.mos.co.za	
File: \\tsclient\Fla_project\931-97\doc\E93197_Doc\E93197_Doc.Ddb - E931-97-Pack MCU_HV.sch		Sheet 1 of 1			

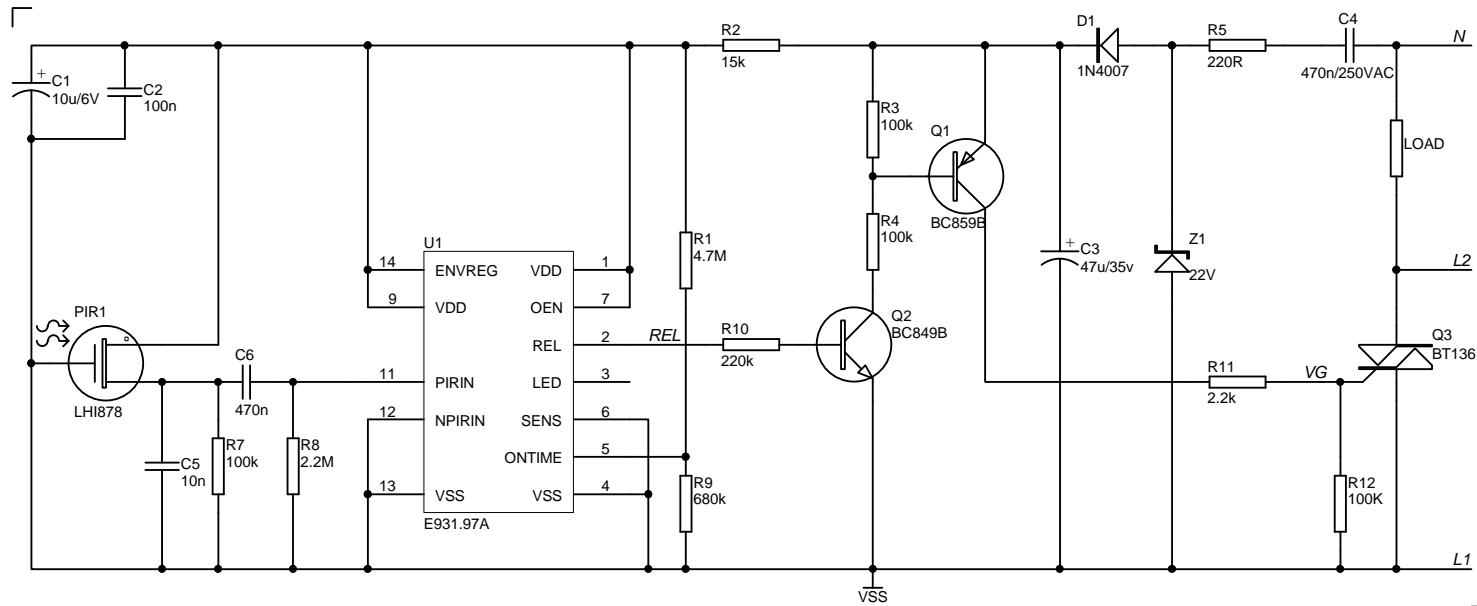


Title		Revision:		MOS (Pty) Ltd. Microsystems on Silicon www.mos.co.za	
E931.97 PIR Motion Sensor with Low Voltage MCU					
Size: A4	Number:	Date: 4-Sep-2012	Time: 09:41:55	Sheet 1 of 1	
File: \\tsclient\Fla_project\931-97\doc\E93197_Doc\E93197_Doc.Ddb - E931-97-Pack MCU_LV.sch					





Title		Revision:		MOS (Pty) Ltd.	
E931.97 Motion Sensor TRIAC SW 3 Wire Negative		Date: 4-Sep-2012		Microsystems on Silicon	
Size: A4	Number:	Time: 09:41:55		www.mos.co.za	
File: W:\scient\Fa_projects\931-97\doc\E93197_Doc.Ddb - E931-97_Pack_TRIAC_3W_NEG.sch		Sheet 1 of 1			



Title		Revision:		MOS (Pty) Ltd.	
E931.97 Motion Sensor TRIAC SW 3 Wire Positive Gate Drive				Microsystems on Silicon	
Size: A4	Number:	Date: 4-Sep-2012	Time: 09:41:55	www.mos.co.za	
File: \\tsclient\Fla_project\project\931-97\doc\E93197_Doc\E93197_Doc.Ddb - E931-97_Pack_TRIAC_3W_POS.sch				Sheet 1 of 1	